

STACKING TO NEW LEVELS



 **TORA-MAX**

STRADDLE STACKER

RAISING THE BAR

With a lifting capacity of up to 4,000 lbs., the Tora-Max Straddle Stacker is the perfect lift to meet all your stacking needs. With a variety of mast height options, this versatile stacker allows you to reach new heights – no matter how high. Additionally, adjustable baselegs, also known as straddle legs, allow for load sizes between 38-50 inches, allowing you to maneuver a variety of pallet sizes with ease. Whether you're working with standard or unconventional loads, the Tora-Max Straddle Stacker provides the flexibility you need to reach new heights.

SMOOTH STACKING

With an AC drive motor and regenerative braking, this stacker operates smoothly through a variety of applications. Enjoy effortless electric lift and lower functions at your fingertips and ergonomically angled hand grips for smooth operation and maneuverability when handling loads. Whether you're working in light-duty warehouses, manufacturing facilities, back-of-store retail, or anywhere in between, the Tora-Max Straddle Stacker is the reliable lift you can count on.

ADVANTAGES OF THE TORA-MAX STRADDLE STACKER

- **AC DRIVE MOTOR** delivers smooth travel while maintaining quiet operation and low maintenance
- **ELECTRIC LIFT / LOWER CONTROLS** provide smooth control of forks and load while maintaining ergonomic operation
- **MESH PROTECTION** protects the operator during operation while removing the chance for reflection and scratches
- **LCD BATTERY DISCHARGE INDICATOR WITH HOUR METER** shows battery usage and truck information such as fault codes and working hours
- **TRAVEL SPEED LIMITING SWITCH** limits travel speed based on the elevated fork height
- **ADJUSTABLE BASELEGS** provide optimal stability for various load sizes

CAPACITY
3,500-4,000 LBS.

DRIVE MOTOR
AC

LIFT HEIGHT
180 IN.

INDUSTRIES



General
Manufacturing



Beverage



Warehousing



Distribution



Retail

STANDARD EQUIPMENT

PERFORMANCE

- 24 Volt Electrical System
- AC Drive Motor
- Regenerative Braking
- Contactor-less Drive / Lift Control
- Proportional Lift / Lower Control
- IP54 Rated Controller
- DC Lift Motor
- CAN-BUS Communication

OPERABILITY & ERGONOMICS

- Multifunction Control Handle with Ergonomically Angled Hand Grips
- Fingertip Control of All Functions
- Directional Thumb Wheels
- Pneumatic Cylinder Control Handle Return
- Parking Brake Electromagnetic Disc
- Turtle Speed Button
- Electric Lift and Lower
- LCD Battery Discharge Indicator with Hour Meter
- Built in USB-Connector for Charging

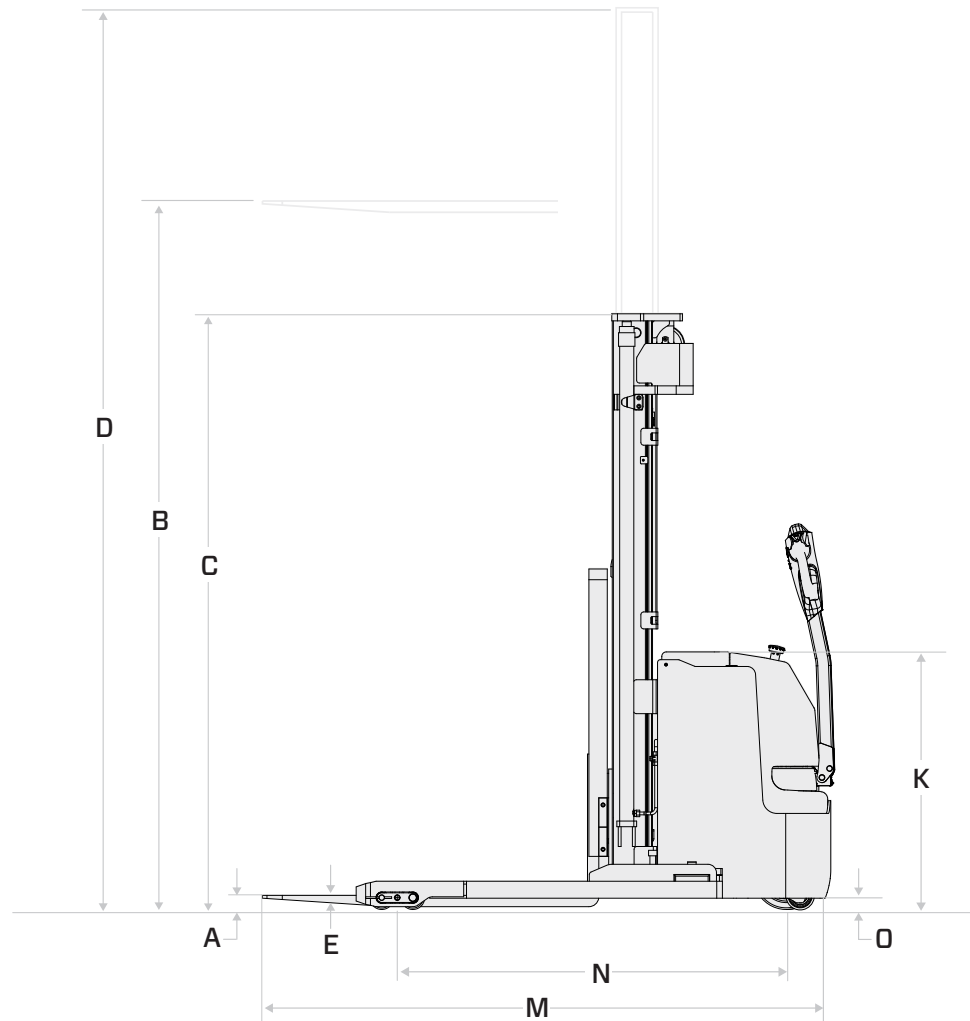
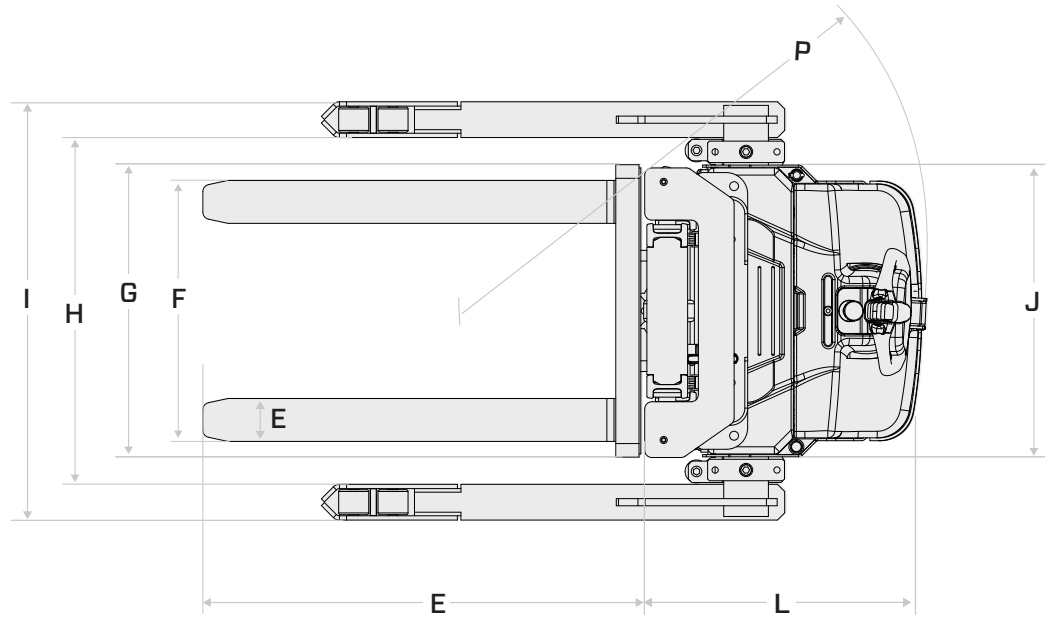
BODY / EXTERIOR DESIGN

- Polyurethane Drive Tire
- Polyurethane Load Wheels
- On-Board Charger
- 24V Lead-Acid Battery
- Key-Lock Access
- 42" Forks
- Mesh Screen Protection
- Load Backrest
- Adjustable Baselegs

Please contact your local, authorized Toyota Dealer for a complete list of available options.

GENERAL DATA				2TSB35	2TSB40
Load Capacity		lb (kg)		3500 (1588)	4000 (1814)
Power Type		Battery			
Operator Position		Walkie			
Tire Type		Drive/Load		Polyurethane	
Wheels		Drive/Caster/Load		1 Drive / 2 Casters / 4 Load Wheels	
EXTERIOR DIMENSIONS ¹				2TSB35	2TSB40
A	Fork Lowered Height	in (mm)		2 (51)	2 (51)
B	Maximum Fork Height	in (mm)		207 (5280)	180 (4580)
C	Mast Lowered Height	in (mm)		83 (2108)	87.7 (2228)
D	Mast Extended Height	in (mm)		200.3 (5088)	205 (5207)
E	Fork Size	T x W x L	in (mm)	1.6x4.7x45.3 [41x119x1150]	
F	Fork Adjustment	in (mm)		10-28.7 [254-729]	
G	Fork Carriage Width	in (mm)		33.27 (845)	
H	Baseleg Inside Dimension	Minimum / Maximum	in (mm)	38 - 50 (966 - 1270)	35-50 (970-1270)
I	Baseleg Outside Dimension	Minimum / Maximum	in (mm)	46 - 58 (1169 - 1474)	46-58 (1170-1470)
J	Power Unit Width	in (mm)		32.1 (816)	
K	Power Unit Height	in (mm)		56 (1423)	
L	Head Length (Length to Fork Face)	in (mm)		36.4 (925)	37 (940)
M	Truck Length (Length to Tip of Forks)	in (mm)		81.7 (2075)	82.4 (2092)
N	Wheelbase	in (mm)		54.3 (1380)	
O	Underclearance	in (mm)		1.6 (40)	
P	Turning Radius	in (mm)		61 (1550)	
Basic Right-Angle Stacking Aisle Width		in (mm)		96 (2439)	96.3 (2446)
Gross Weight without Battery		lb (kg)		3262.8 (1480)	3439.2 (1560)
PERFORMANCE DATA				2TSB35	2TSB40
Speeds	Travel Max	Full Load	mph (km/h)	3.4 (5.4)	3.4(5.5)
		No Load	mph (km/h)	3.7 (6)	3.7 (6)
	Lifting	Full Load	fpm (mm/sec)	25.59 (130)	
		No Load	fpm (mm/sec)	35.43 (180)	
	Lowering	Full Load	fpm (mm/sec)	39.37 (200)	
		No Load	fpm (mm/sec)	27.56 (140)	
Gradeability	Full Load	%		6	6
	No Load	%		12	10
Weight Distribution (with 507lb battery)	Full Load	Front	lb (kg)	1823.2 (827)	1966.5 (892)
		Rear	lb (kg)	4967 (2253)	5242.6 (2378)
	No Load	Front	lb (kg)	1904.8 (864)	2037 (924)
		Rear	lb (kg)	1358 (616)	1402 (636)
Tires	Size (dia. x width)	Drive	in (mm)	8.27 x 2.95 (210 x 75)	
		Load	in (mm)	3.94 x 1.57 (100 x 40)	
		Casters	in (mm)	3.31 x 2.76 (84 x 70)	
Brake		Electric Disk Brake			
POWER SYSTEM				2TSB35	2TSB40
Battery (6-hour ratings)	Max. Voltage / Capacity	V / Ah		24 / 270	
	Weight	lb (kg)		507 (230)	
Electric Motors	Drive	hp (kW/h)		1.88 (1.4)	
	Load Handling	hp (kW/h)		4.29 (3.2)	
Control Type	Drive	AC Control			
	Load Handling	DC Control			

EXTERIOR DIMENSIONS



MAST SPECIFICATIONS & RATED CAPACITIES

2TSB35							
MAST TYPE	MAXIMUM FORK HEIGHT [TOP OF FORKS]	FREE LIFT HEIGHT	OVERALL HEIGHT		MINIMUM BASELEG INSIDE DIMENSION	LOAD CAPACITY AT MAX HEIGHT	TRUCK WEIGHT WITHOUT BATTERY ¹
			LOWERED	EXTENDED MAST HEIGHT ³			
			in (mm)	in (mm)			
TWO-STAGE FFL ²	113.4 (2880)	55.5 (1410)	77 (1958)	133 (3380)	38(965)	3500 (1588)	2518 (1142)
	125.2 (3180)	61.4 (1560)	83 (2108)	145 (3680)	38(965)	3500 (1588)	2551 (1157)
	141 (3580)	69.3 (1760)	91 (2308)	161 (4080)	38(965)	3500 (1588)	2595 (1177)
THREE-STAGE FFL ²	156.7 (3980)	52 (1320)	75 (1908)	176 (4480)	38(965)	3300 (1496)	2859 (1297)
	168.5 (4280)	56 (1420)	79 (2008)	188 (4780)	38(965)	3100 (1406)	2910 (1320)
	180.3 (4580)	60 (1520)	83 (2108)	200 (5080)	38(965)	2900 (1315)	2961 (1343)
	208 (5280)	69.1 (1756)	92.2 (2343)	228 (5780)	38(965)	2000 (907)	3012 (1366)

2TSB40							
MAST TYPE	MAXIMUM FORK HEIGHT [TOP OF FORKS]	FREE LIFT HEIGHT	OVERALL HEIGHT		MINIMUM BASELEG INSIDE DIMENSION	LOAD CAPACITY AT MAX HEIGHT	TRUCK WEIGHT WITHOUT BATTERY ¹
			LOWERED	EXTENDED MAST HEIGHT ³			
			in (mm)	in (mm)			
TWO-STAGE FFL ²	105.5 (2680)	51.6 (1310)	78 (1978)	130 (3300)	38 (965)	4000 (1814)	2820 (1279)
	113.4 (2880)	55.5 (1410)	82 (2078)	138 (3500)	38(965)	4000 (1814)	2897 (1314)
	125.2 (3180)	61.4 (1560)	87.7 (2228)	150 (3800)	38(965)	4000 (1814)	2974 (1349)
	141 (3580)	69.3 (1760)	95.6 (2428)	165 (4200)	38(965)	4000 (1814)	3060 (1388)
THREE-STAGE FFL ²	156.7 (3980)	51.6 (1310)	78 (1978)	181 (4600)	38(965)	3500 (1588)	3102 (1407)
	168.5 (4280)	56 (1420)	83.8 (2128)	193 (4900)	38(965)	3100 (1406)	3179 (1442)
	180.3 (4580)	60 (1520)	87.7 (2228)	205 (5200)	38(965)	2900 (1315)	3265 (1481)

MODEL
BASELEG OUTER DIMENSION
in (mm)
1170
1270
1370
1470

Note: Add a minimum of 10" to 12" for maneuverability.

- 1 Estimated Weight
- 2 Full Free Lift
- 3 With Standard Load Backrest



TORA-MAX

2TSB3540COMP
©2023 TORA-MAX

shop.toyotaforklift.com

Some product features described herein are optional. Please consult your dealer for specifications. Details of specifications and equipment are based on information available at time of printing and may change without notice.