

# ENCLOSED END RIDER PALLET JACK



# PRODUCTIVE SOLUTION

- ▶ 6,000-8,000 lb. Capacity
- ▶ Programmable Lift Capability
- ▶ 24 Volt Battery
- ▶ AC Drive Motor
- ▶ Ductile Iron Undercarriage



ER1-ES60 | ER1-ES80

# YOUR PALLET-MOVING PARTNER

UP TO  
**8,000** LB.  
CAPACITY

**THE TOYOTA ENCLOSED END RIDER** is designed with innovative ergonomics to maximize operator efficiency and productivity, Toyota's new Enclosed End Rider makes traveling through your warehouse while loading and unloading products simple and easy. This lift comes equipped with electric power steering, which helps to lessen the amount of operational effort, leading to improved output and comfort shift after shift with lower energy consumption.



# ENCLOSED END RIDER ADVANTAGES

- ▶ **LIFT HEIGHT TRAVEL INTERLOCK** is a training tool to encourage operators to drive with the forks lifted by limiting travel speed when forks are lowered
- ▶ **ELECTRIC POWER STEERING** decreases the amount of effort required to steer, increasing the operator's comfort. Auto steering automatically centers the steer tire on startup
- ▶ **COLD STORAGE OPTION** protects components from condensation and cold temperatures
- ▶ **REINFORCED STEEL DUCTILE IRON UNDERCARRIAGE** adds strength throughout the underside of the unit for added rigidity
- ▶ **LIFT AND LOWER BUTTONS** give operators precise lift and lower control
- ▶ **UNIVERSAL TAPERED FORKS OPTION** makes pallet exit and entry easier
- ▶ **AC DRIVE MOTOR** for better acceleration, quiet operation, and overall smoothness of travel



- ▶ **SIDESTANCE POSITION** enables operators to easily change direction and travel long runs shuttling pallets from dock to stock or vice versa
- 

- ▶ **10" LOW STEP HEIGHT** creates ease for operators when stepping on or off the floorspace
- 

- ▶ **AUTO SLOW DOWN** occurs when turning a corner making it easier to transport large loads when cornering
- 

## AN INVESTMENT THAT PAYS YOU BACK

Toyota demands the best for its customers. Toyota equipment doesn't often require service outside of routine maintenance. But when they do, it's fast and easy — by design. Plus, 500-hour service intervals cut service times in half. And legendary Toyota quality means more productivity over the lifecycle of your forklift, along with lower repair costs.

---

## DURABILITY DELIVERED

Toyota's Enclosed End Rider is the pallet-moving secret to productivity, efficiency, and uptime that you've been looking for. Designed with a reinforced steel undercarriage and stainless pins for superior strength to handle the heaviest of loads, the Enclosed End Rider is the perfect lift for delivering an impeccable performance so you can get the job done. An available fork height travel interlock option helps reinforce proper operator training to keep the forks raised when traveling over docks and uneven surfaces by limiting travel speeds when the forks are lowered.



# TOYOTA MOVES WITH YOU



## A NAME YOU CAN TRUST

Our material handling equipment carries something no others can: The Toyota name. As one of the most recognized and respected global brands, the Toyota name is synonymous with quality, durability, and value. It also provides a peace of mind that few companies of any kind can match.

Every Toyota Forklift is built using the world-renowned Toyota Production System (TPS), which features Just-in-Time parts delivery and quality checks at every step of the manufacturing process.

It's all part of the Toyota philosophy of "kaizen," the dedication to continuous improvement. Instituted by our founder more than 80 years ago, it's a principle that still guides us today. As long as our forklifts carry the Toyota name, we'll continue striving to improve processes and quality.

## THE TOYOTA 360 SUPPORT PROMISE

In addition to moving more pallets more quickly through your facility, you can count on Toyota's dedication to quality and world-renown manufacturing methods to deliver unprecedented uptime and lower maintenance costs. Toyota 360 Support comes standard with every Toyota End Rider Pallet Jack, meaning you benefit from an industry-leading two-year parts warranty, the support of over 65 dealerships, 3500+ Toyota Certified Technicians, and guaranteed 4-hour emergency response time.

**65<sup>+</sup>**  
DEALERSHIPS

**3500<sup>+</sup>**  
TOYOTA CERTIFIED TECHNICIANS

4-HOUR  
**GUARANTEED**  
EMERGENCY RESPONSE TIME

## ENCLOSED END RIDER PALLET JACK

CAPACITY  
**6000-8000 LBS.**

LOAD CENTER  
**24 IN.**

MAXIMUM FORK HEIGHT  
**9.25 IN.**

### INDUSTRIES



Distribution



Food Storage



General  
Manufacturing



General  
Warehousing



Logistics

## STANDARD EQUIPMENT

### PERFORMANCE

- 24 Volt Electrical System
- AC Drive Motor
- Regenerative plugging
- Heavy Duty Spring Loaded Casters
- Battery Discharge Indicator with Lift Interrupt
- Hour Meter Indicator
- Horn
- Electric Power Steering
- Automatic Parking Brake
- UL Type "E" Construction

### BODY/EXTERIOR DESIGN

- Dual Lift Cylinders
- Steel Pull Rods
- Stainless Steel Lift Pins
- Electric Disc Brake
- Emergency Power Disconnect
- Fork Lift of 6"
- Battery Compartment
  - 31.96 in. wide
  - 13.38 in. length
  - 31.0 in. height

### OPERABILITY & ERGONOMICS

- Cushioned Knee and Hip Pads
- Cushioned Operator Backrest
- Programmable Performance
- Start up and run time diagnostics
- Multifunction Control Handle with
  - Ergonomically Angled Hand Grips
  - Soft-cushioned Floor Mat
  - Low-profile operator presence pedal
  - Fork Height Travel Interlock
  - Speed Reduction in Turns
- Storage Tray
- Anti-Roll Back
- Automatic Drive Tire Centering at Startup

## **OPTIONAL EQUIPMENT**

### **BODY**

- Single Tier Accessory Bar
  - USB Port for Single Tier Accessory Bar
  - Operator Fan
  - LED Work Light
  - Various Travel Alarm Options
  - Keyless On/Off Switch
  - Operator Compartment Sensor System
  - Operator Compartment Sensor System with Cold Storage
  - 10-Amp Power Hook-up, On-Board Terminal
  - Static Strap
  - Various Storage Tray Options
  - Various fork lengths
- 

### **BATTERY ACCESSORIES**

- Battery Compartment Rollers w/ Dual Sidegates
  - Battery Compartment Width 31"x9.2"x31"
  - Various Battery Connector Options
  - Battery Gate Interlock
  - Battery Spacers
  - Greasable Steer Bearing
  - Full Set Greasable Bushings
- 

### **LOAD HANDLING**

- Various Load Backrest Options
  - Full-Length Rear Operator Guard
  - Extended Operator Backrest
  - 3.5" Steering Tiller
  - Steering, Friction Block
  - Forward Steer
  - Reverse Steer
  - Pallet Entry Rollers
- 

### **WHEELS**

- Load Wheel Debris Diversion Device
  - Various Load Wheel Options
- 

### **TIRES**

- Various Drive Tire Options
- 

### **CASTERS**

- Heavy-Duty Casters with Food-Grade Grease
- 

### **SPECIAL MODELS**

- UL Type "E" Rating
  - UL Type "EE" Rating
  - Cold Storage Conditioning
-



# TRUCK SPECIFICATIONS

## MODEL NUMBERS

GENERAL DATA				ER1-ES60						
Load Capacity		lb (kg)	6000 (2722)							
Load Center		in (mm)	24 (600)							
Power Type			Battery							
Operator Position			Stand-up (Center)							
EXTERIOR DIMENSIONS				ER1-ES60						
A Fork Height	Lifted, at load wheel	in (mm)	9.25 (235)							
	Lifted, at heel	in (mm)	9.5 to 9.75 (241 to 248)							
	Lowered, at load wheel	in (mm)	3.25 (83)							
	Lowered, at heel	in (mm)	3.75 (95)							
B Fork Lifting Range		in (mm)	6 (152)							
C Power Unit Height		in (mm)	37.2 (944)							
D Wheelbase	Lowered	in (mm)	55.9 (1419)	61.9 (1572)	67.9 (1725)	79.9 (2030)	88.5 (2248)	88.5 (2248)	88.5 (2248)	95.5 (2426)
	Raised	in (mm)	51.5 (1307)	57.4 (1459)	63.4 (1611)	75.4 (1915)	83.9 (2131)	83.9 (2131)	83.9 (2131)	90.9 (2309)
E Bumper Underclearance		in (mm)	4.5 (114)							
F Fork Length (Nominal)		in (mm)	36 (914)	42 (1067)	48 (1219)	60 (1524)	84 (2134)	93 (2362)	96 (2438)	103 (2616)
	Fork Length (Actual)	in (mm)	35.8 (910)	41.8 (1062)	47.8 (1215)	59.8 (1520)	83.6 (2123)	92.6 (2352)	95.6 (2428)	102.6 (2606)
G Fork Width		in (mm)	9 (229)	9 (229)	9 (229)	9 (229)	10 (254)	10 (254)	10 (254)	10 (254)
H Overall Fork Width (Nominal)		in (mm)	27.0 (686)	27.0 (686)	27.0 (686)	27.0 (686)	27.5 (699)	27.5 (699)	27.5 (699)	27.5 (699)
I Truck Overall Width		in (mm)	40 (1016)							
J Overall Length		in (mm)	81.5 (2071)	87.5 (2223)	93.6 (2376)	105.6 (2681)	129.8 (3298)	138.8 (3527)	141.8 (3603)	148.8 (3781)
K Outside Turning Radius	Raised (tractor-first only) <sup>1</sup>	in (mm)	70.1 (1782)	76.1 (1932)	82.0 (2084)	94.0 (2389)	102.6 (2606)	102.6 (2606)	102.6 (2606)	109.6 (2784)
	Step Height	in (mm)	10 (254)							
PERFORMANCE DATA				ER1-ES60						
Travel Speed	Maximum		mph (km/h)				9.0 (14.5)			
Gradability	Unloaded		%				10			
	Loaded		%				8			
TRUCK WEIGHTS				ER1-ES60						
Total Weight <sup>1</sup>	Without Battery	lb (kg)	Contact Dealer							
TIRES				ER1-ES60						
Tires	Tire Type	Drive / Load / Caster	Rubber / Polyurethane / Polyurethane							
	Number (x = driven)	Drive / Load / Caster	1X / 2 / 2							
	Size (dia. x width)	Drive	in (mm)	12 x 4.75 (305 x 121)						
		Load	in (mm)	3.25 X 5.88 (83 x 149)						
	Caster	in (mm)	3 x 3.5 (76 x 89)							
Brake			Electric Disc Brake							
POWER SYSTEM				ER1-ES60						
Battery Type			Lead Acid							
Battery (6-hour ratings) <sup>1</sup>	Battery Compartment Size	Length	in (mm)	31 (787)						
		Width	in (mm)	13.13 (340)						
		Height	in (mm)	31 (787)						
	Voltage / Capacity	Maximum	V/AH	24 / 750						
		Weight	Max.	lb (kg)	1500 (680)					
	Min.		lb (kg)	980 (444)						
Electric Motors	Drive	(60 min.)	hp (kw)	4.4 (3.28)						

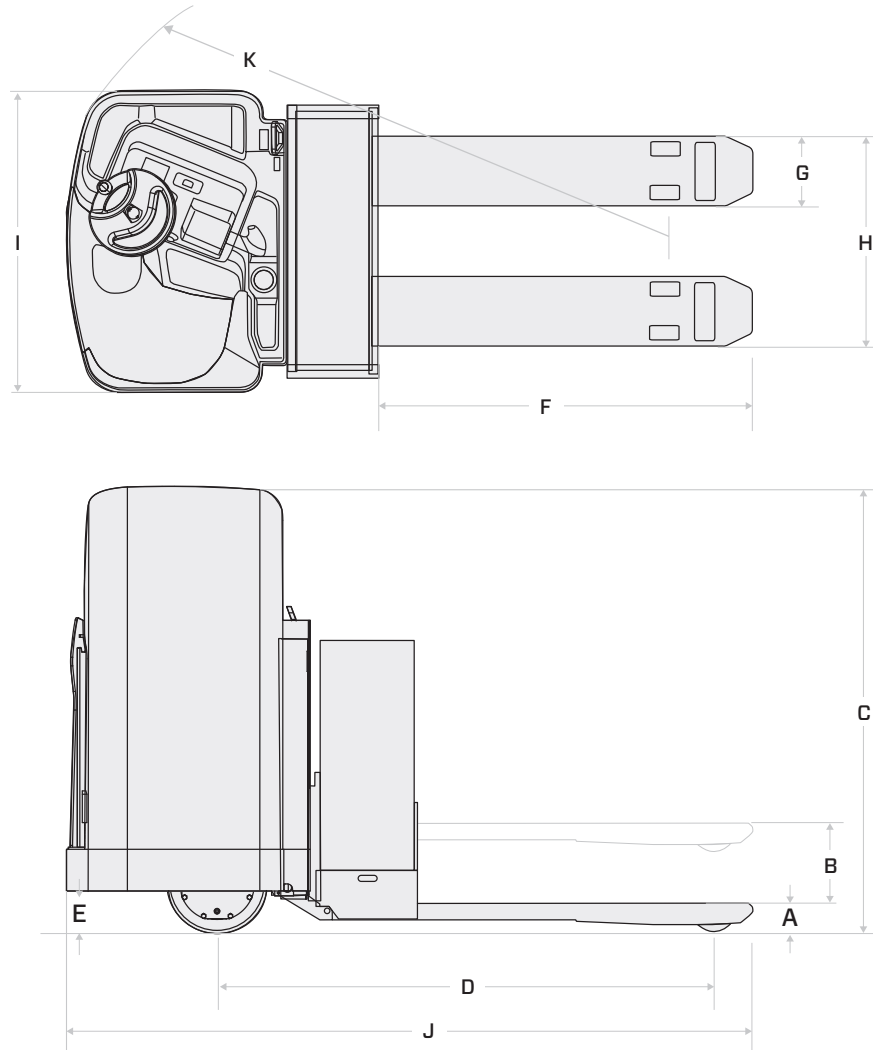
<sup>1</sup> Please contact your local Toyota dealer for more information regarding specifications.

## TRUCK SPECIFICATIONS

GENERAL DATA				MODEL NUMBERS											
GENERAL DATA				ER1-ES80											
Load Capacity	lb (kg)			8000 (3629)											
Load Center	in (mm)			24 (600)											
Power Type				Battery											
Operator Position				Stand-up (Center)											
EXTERIOR DIMENSIONS				ER1-ES80											
A Fork Height	Lifted, at load wheel	in (mm)			9.25 (235)										
	Lifted, at heel	in (mm)			9.5 to 9.75 (241 to 248)										
	Lowered, at load wheel	in (mm)			3.25 (83)										
	Lowered, at heel	in (mm)			3.75 (95)										
B Fork Lifting Range	in (mm)			6 (152)											
C Power Unit Height	in (mm)			37.2 (944)											
D Wheelbase	Lowered	in (mm)	56.4 (1432)	62.4 (1585)	68.4 (1737)	80.4 (2043)	88.5 (2248)	88.5 (2248)	88.5 (2248)	95.5 (2426)	120.8 (3068)	114.7 (2914)			
	Raised	in (mm)	51.9 (1319)	57.9 (1471)	63.9 (1622)	75.8 (1926)	83.9 (2131)	83.9 (2131)	83.9 (2131)	90.9 (2309)	116.1 (2949)	110.1 (2796)			
E Bumper Underclearance	in (mm)			4.5 (114)											
F Fork Length (Nominal)	in (mm)			36 (914)	42 (1067)	48 (1219)	60 (1524)	84 (2134)	93 (2362)	96 (2438)	103 (2616)	115 (2921)	144 (3658)		
	in (mm)			35.8 (910)	41.8 (1062)	47.8 (1215)	59.8 (1520)	83.6 (2123)	92.6 (2352)	95.6 (2428)	102.6 (2606)	115.8 (2942)	143.6 (3647)		
G Fork Width	in (mm)			10 (254)	10 (254)	10 (254)	10 (254)	10 (254)	10 (254)	10 (254)	10 (254)	10 (254)			
H Overall Fork Width (Nominal)	in (mm)			27.5 (699)	27.5 (699)	27.5 (699)	27.5 (699)	27.5 (699)	27.5 (699)	27.5 (699)	27.5 (699)	27.5 (699)			
I Truck Overall Width	in (mm)			40 (1016)											
J Overall Length	in (mm)			82.0 (2082)	88.0 (2236)	94.0 (2388)	106.0 (2693)	129.8 (3298)	138.8 (3527)	141.8 (3603)	148.8 (3781)	120.8 (3068)	114.7 (2914)		
K Outside Turning Radius	Raised (tractor-first only) <sup>1</sup>	in (mm)			70.6 (1793)	76.5 (1944)	82.5 (2096)	94.5 (2400)	102.6 (2606)	102.6 (2606)	102.6 (2606)	109.6 (2784)	134.9 (3427)	128.9 (3274)	
	Step Height	in (mm)			10 (254)										
PERFORMANCE DATA				ER1-ES80											
Travel Speed	Maximum	mph (km/h)			9.0 (14.5)										
Gradability	Unloaded	%			10										
	Loaded	%			8										
TRUCK WEIGHTS				ER1-ES80											
Total Weight <sup>1</sup>	Without Battery	lb (kg)			10										
TIRES				ER1-ES80											
Tires	Tire Type	Drive / Load / Caster			Rubber / Polyurethane / Polyurethane										
	Number (x = driven)	Drive / Load / Caster			1X / 2 / 2										
	Size (dia. x width)	Drive	in (mm)			12 x 4.75 (305 x 121)									
		Load	in (mm)			3.25 X 5.88 (83 x 149)									
	Caster	in (mm)			3 x 3.5 (76 x 89)										
Brake				Electric Disc Brake											
POWER SYSTEM				ER1-ES80											
Battery Type				Lead Acid											
Battery (6-hour ratings) <sup>1</sup>	Battery Compartment Size	Length	in (mm)			31 (787)									
		Width	in (mm)			13.13 (340)									
		Height	in (mm)			31 (787)									
	Voltage / Capacity	Maximum	V/AH			24 / 750									
		Weight	Max.	lb (kg)			1500 (680)								
		Min.	lb (kg)			980 (444)									
Electric Motors	Drive	(60 min.)	hp (kw)			4.4 (3.28)									

<sup>1</sup> Please contact your local Toyota dealer for more information regarding specifications.

## EXTERIOR DIMENSIONS



## AISLE WIDTH REQUIREMENTS FOR RIGHT ANGLE STACKING

LOAD WIDTH	LOAD LENGTH									
	36 (914)	42 (1067)	48 (1219)	60 (1524)	84 (2184) <sup>1</sup>	93 (2362) <sup>2</sup>	96 (2438) <sup>3</sup>	103 (2616) <sup>4</sup>	115 (2921) <sup>5</sup>	144 (3658) <sup>6</sup>
in (mm)	in (mm)	in (mm)	in (mm)	in (mm)	in (mm)	in (mm)	in (mm)	in (mm)	in (mm)	in (mm)
<b>ERI-ES60.80</b>										
30 (762)	80.7 (2049)	86.5 (2197)	92.3 (2345)	104.1 (2644)	140.5 (3568)	140.5 (3568)	140.5 (3568)	147.4 (3744)	167.7 (4269)	183.6 (4662)
32 (813)	80.7 (2049)	86.5 (2197)	92.3 (2345)	104.1 (2644)	140.5 (3568)	140.5 (3568)	140.5 (3568)	147.4 (3744)	167.7 (4269)	183.6 (4662)
36 (914)	80.7 (2049)	86.5 (2197)	92.3 (2345)	104.1 (2644)	140.5 (3568)	140.5 (3568)	140.5 (3568)	147.4 (3744)	167.7 (4269)	183.6 (4662)
40 (1016)	81.2 (2062)	87 (2209)	92.8 (2357)	104.5 (2654)	140.8 (3577)	140.8 (3577)	140.8 (3577)	147.7 (3752)	168 (4266)	183.8 (4669)
42 (1067)	81.5 (2069)	87.2 (2216)	93 (2362)	104.7 (2660)	141 (3582)	141 (3582)	141 (3582)	147.9 (2757)	168.1 (4270)	184 (4672)
44 (1118)	81.8 (2077)	87.5 (2223)	93.3 (2370)	104.9 (2665)	141.2 (3587)	141.2 (3587)	141.2 (3587)	148.1 (3761)	168.3 (4274)	184.1 (4676)
48 (1219)	82.4 (2092)	88.1 (2237)	93.8 (2383)	105.4 (2677)	141.6 (3597)	141.6 (3597)	141.6 (3597)	148.5 (3771)	168.6 (4283)	184.4 (4684)

Minimum aisle for right angle stacking shown.  
Add a minimum of 10" to 12" for maneuverability.

- For two 48 x 40 in. (1219 x 1016 mm) pallets entered on the 40 in. face, with a total of 12 in. (305 mm) of pallet overhanging the forks.
- For two 48 x 40 in. (1219 x 1016 mm) pallets entered on the 40 in. face, with a total of 3 in. (77 mm) of pallet overhanging the forks.
- For two 48 x 40 in. (1219 x 1016 mm) pallets entered on the 40 in. face.
- For two 48 x 40 in. (1219 x 1016 mm) pallets, with a total of 7 in. (178 mm) of load overhang, entered on the 40 in. face.  
The wheelbase is extended 7 in. (178 mm) for proper load wheel drop location. Contact Factory prior to placing order.
- For three 40 x 48 in. (1016 x 1219 mm) pallets entered on the 48 in. face, with a total of 5 in. (127 mm) of pallet overhanging the forks.
- For three 48 x 40 in. (1219 x 1016 mm) pallets entered on the 40 in. face.



# WORLD-CLASS MATERIAL HANDLING SOLUTIONS

**PARTNER WITH TOYOTA, AND LET US HELP DEVELOP THE RIGHT SOLUTION FOR YOU.**

With access to the world's industry-leading lineup of material handling products, Toyota dealers are uniquely positioned to help you solve your wide-ranging challenges. Built for every application, Toyota can provide the most complete set of solutions for material handling, automation, energy, advanced logistics, and warehouse optimization.

Toyota is here to help optimize your business for maximum efficiency. Utilizing Toyota Lean Management principles, Toyota dealers can provide insights and develop appropriate plans to tackle your specific operational needs. This unique approach to optimization and elimination of waste can provide you with significant competitive advantages and a sustainable lean culture for lasting process improvement.

**Visit us at: [ToyotaForklift.com](http://ToyotaForklift.com) for more information.**

